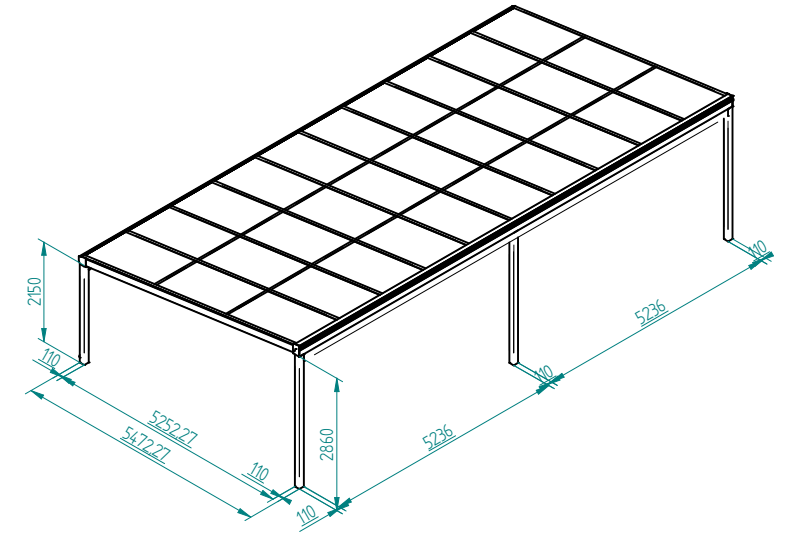
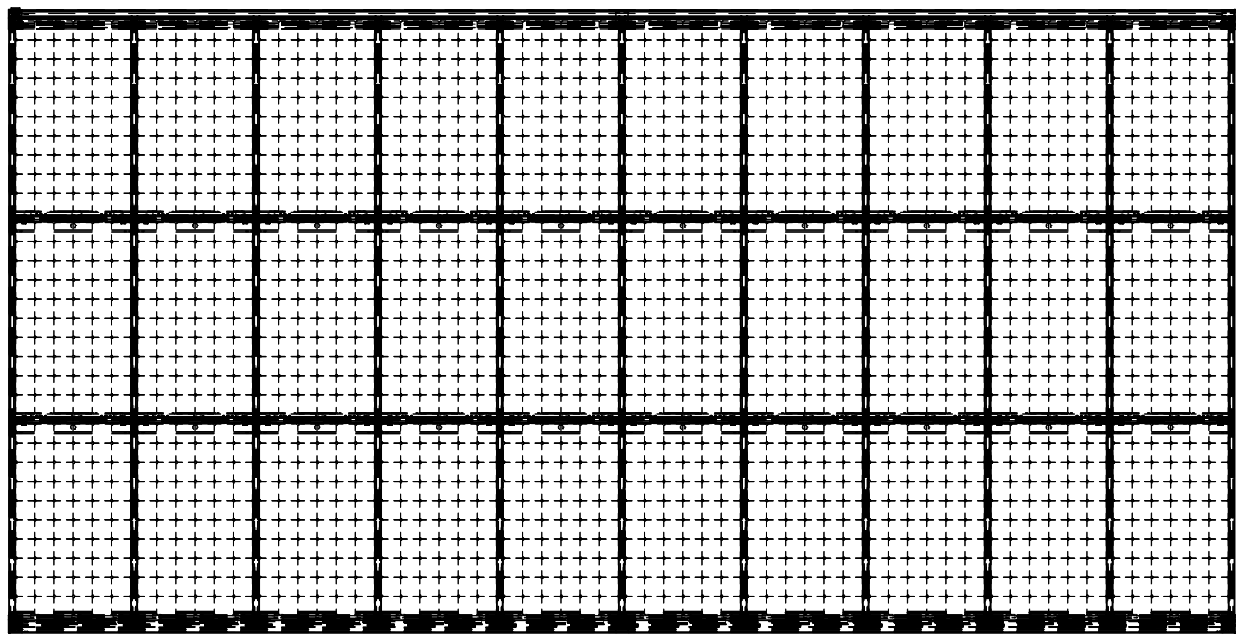
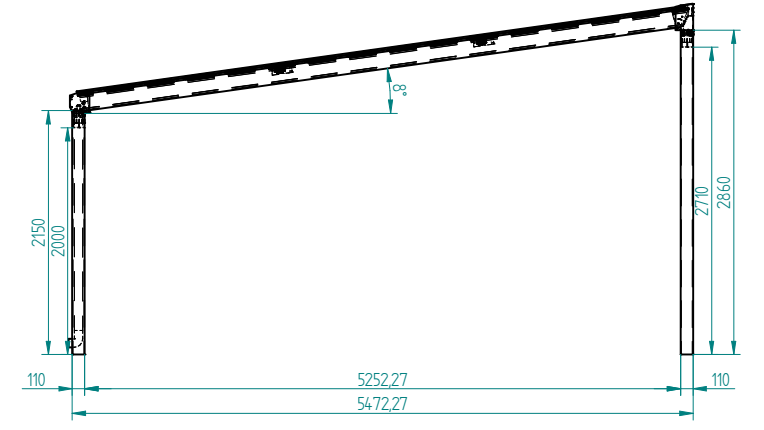
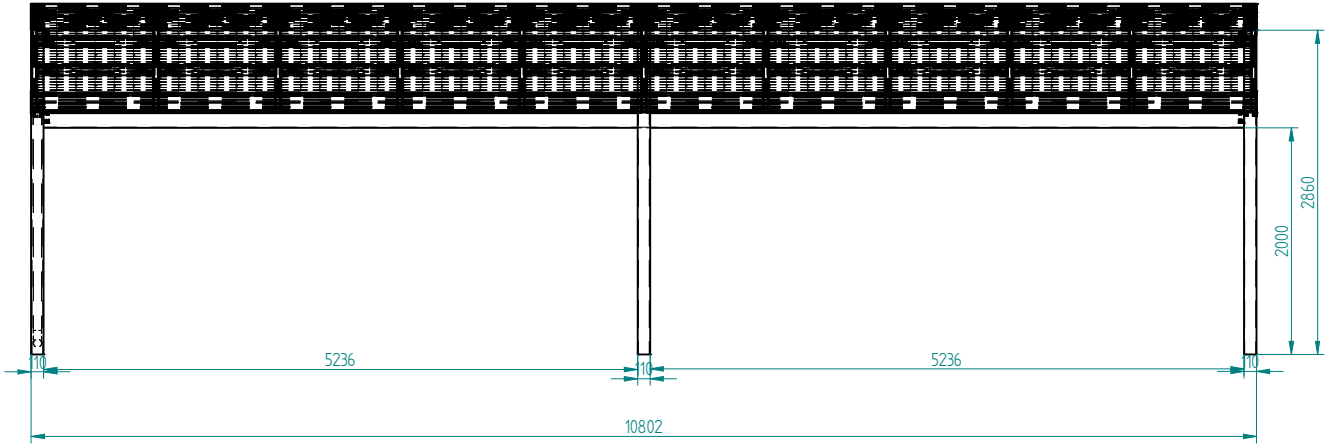


REVISION HISTORY			
REV	DESCRIPTION	DATE	APPROVED



DRAWN	BejkaKarel-Hajbata	DATE	reference	Solid Edge	
CHECKED			TITLE		
ENG APPR					
MGR APPR					
UNLESS OTHERWISE SPECIFIED DIMENSIONS ARE IN MILLIMETERS ANGLES +XX°			SIZE A2	DWG NO	REV
2 PL *XXX 3 PL *XXXX			FILE NAME: Vykres2		
			SCALE:	WEIGHT:	SHEET 1 OF 1