

BIOCLIMATIC PERGOLA MORAIRA



CODEVAL
ALUMINIUM



**CODEVAL
ALUMINIUM**

PRESENTS THE NEW MORAIRA PERGOLA.

ALUMINUM CODEVAL PERGOLAS ARE DESIGNED TO ENJOY THE OUTDOOR SPACES ALL YEAR ROUND THANKS TO ITS HIGH PERFORMANCE.

IT'S INNOVATIVE DESIGN, QUALITY FINISH AND STRENGTH OF MATERIALS USED IN IT'S CONSTRUCTION MAKE THE DIFFERENCE. WE ALSO HAVE A WIDE RANGE OF OPTIONAL ELEMENTS THAT CAN COMPLETE THE PROJECT: LED LIGHTING, SOUND SYSTEM, HEATING OR PERIMETER ENCLOSURES (LATTICES, GLASS CURTAINS OR SLIDING GLASS SYSTEMS).

PERGOLA

MORAIRA







DESIGN

A contemporary design, with straight lines, that invites you to use spaces that had so far only been used in spring and summer.

COMPACT AND MODERN DESIGN.

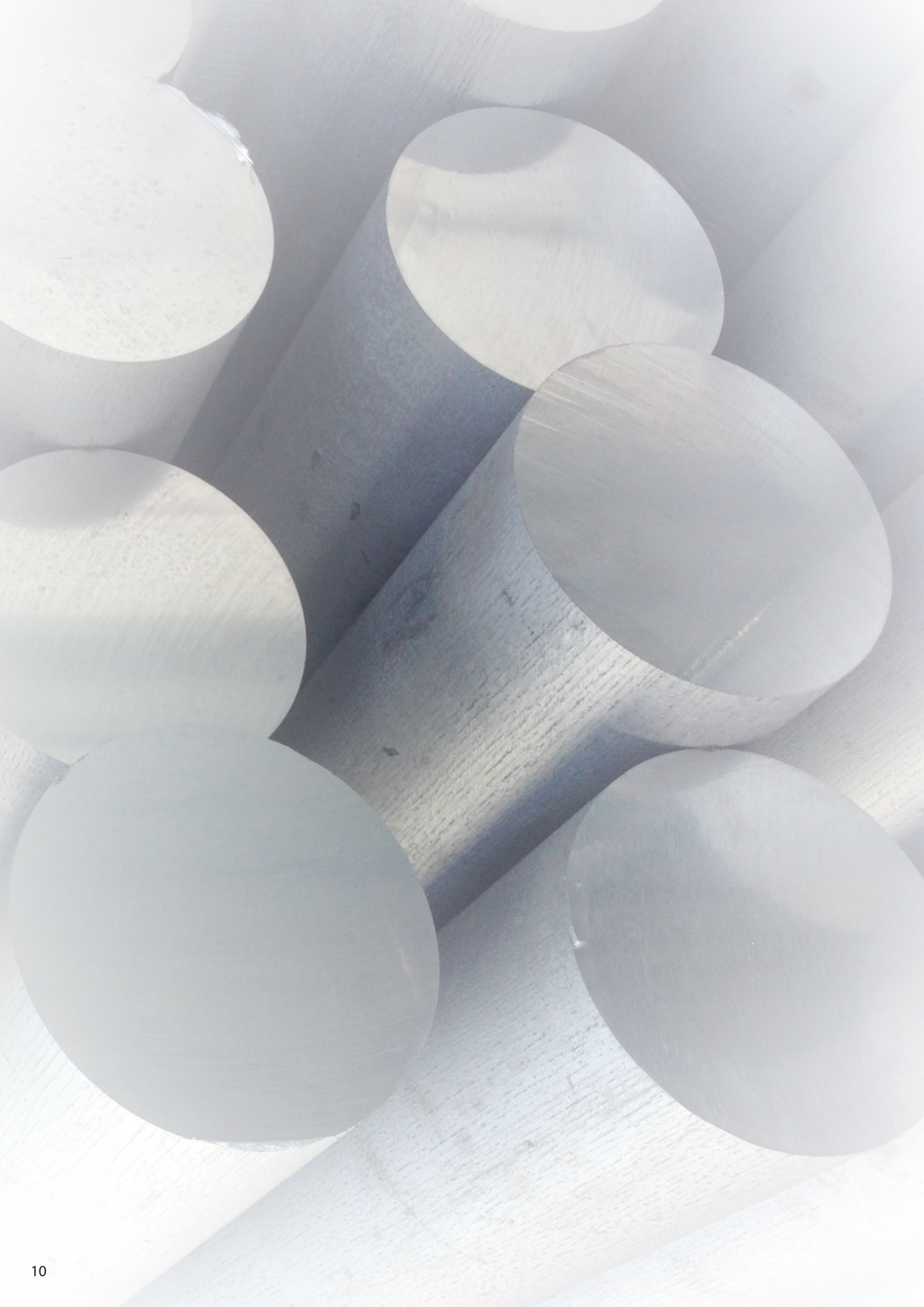
It's multiple configuration possibilities, make it ideal for terraces, gardens or penthouses of detached houses and chalets. It is also a great solution for restaurants when you need to create outdoor terraces or chill-out spaces.

FINISHES

CODEVAL ALUMINIUM MAKES IT EASY.

The finish of the pérgola can be chosen from a wide variety of colour guides (RAL / Futura).





MATERIALS

The main material used in the Moraira pergola is 6063 T5 first fusion aluminium, which, alongside the auxiliary materials manufactured in stainless steel and the top quality technical plastics that conform the pergola, means that it will not be affected by the passage of time nor corrosion.

INSTALLATION

The installation of the Codeval Aluminium Moraira pergola does not require any type of building work, since it is designed to be set up using just a few tools and staff.

It is built on the basis of a frame structure with a 90° cut. The beam incorporates an extrusion gutter and the water drain is channeled through the pillars. One of these pillars is also used as accommodation for the electronic technical components (switchboards and meteorological sensors). The assembly of slats and mechanisms is done from the inside of the beam, which facilitates the assembly.

Every pergola is supplied with a technical manual that, together with the professionalism of our official installers, will make installation precise and satisfactory.

Installation must be carried out by Codeval Aluminium authorised staff that have completed a training course to be recognised as such.







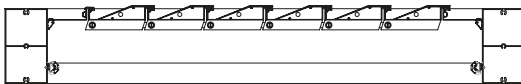
SOLAR CONTROL

The user is always in control. Using the Codeval remote control, you can move the slats from 0° to 135°. The remote has four predefined positions, but aside from them, you can change the orientation until you find your desired position.

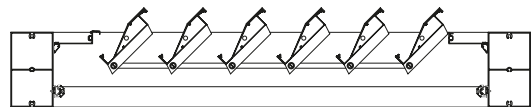
YOU WILL HAVE THE POWER TO SHADE OR DIFFUSE THE SUN AS YOU WISH.

Codeval Aluminium Moraira Pergola gives you the opportunity to feel the thermal sensation desired in every moment.

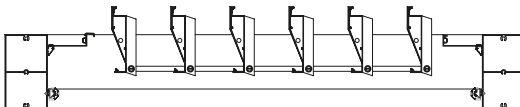
Slat position 0°.



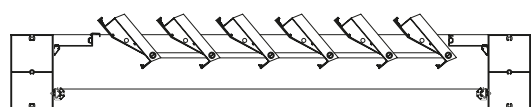
Slat position 45°.



Slat position 90°.



Slat position 135°.



Note: Approximate opening positions.

SENSORS



Codeval Aluminium wants to impulse innovation and has fitted the Moraira pergola with devices such as a rain sensor, that is fitted as standard to all supplied pergolas. This sensor offers you the peace of mind of knowing that the rain will never interrupt your evening, since the slats will close automatically.



The wind sensor allows the pergola to decide when it should open the slats so that they will not suffer any damage from intense wind. The wind sensor prevails over the rain sensor.

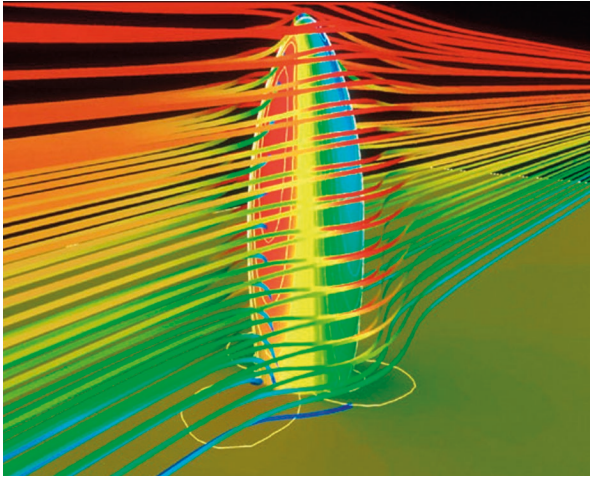


The snow sensor allows the pergola to decide when it should open the slats so that they will not suffer any damage from intense snowfall.



The motion sensor allows you to use the heating only when the pergola is in use, avoiding the consequent unnecessary expenditure of energy while at the same time protecting the environment.

AIRTIGHTNESS AND WIND LOAD

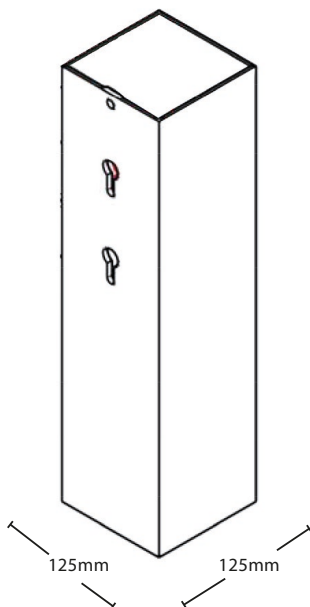


The Codeval Aluminium Moraira pergola is designed so that inclement weather does not ruin your enjoyment of the space it provides.

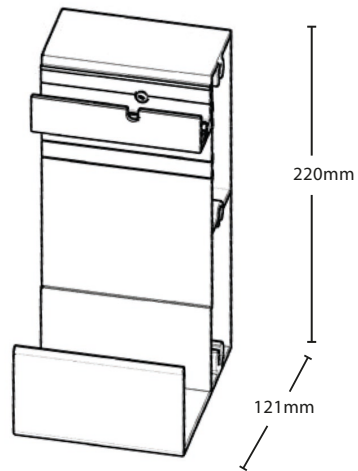
The profiles are designed in such a way that, when the slats are closed, they can collect and channel water towards a gutter in the perimeter beam that, in turn, can evacuate it using the posts that are designed to that end.

The robustness of the pergola has been tested and allows it to withstand winds of up to 160 km / h complying with the standard of the building's technical code.

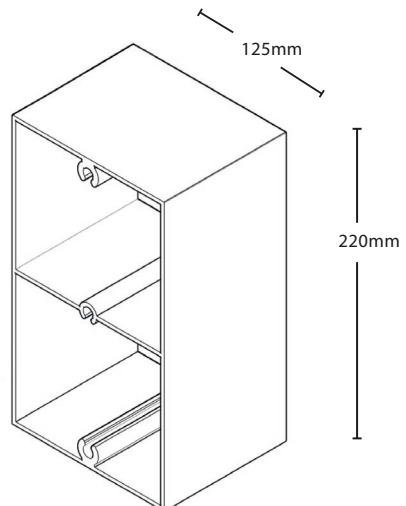
Column section



Drain beam section



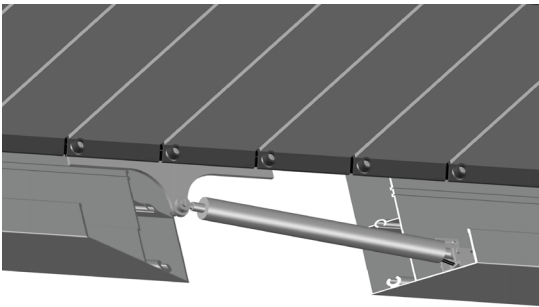
Crossbeam section



MOTORIZATION

The pergola is manufactured for manual or motorized opening version. It uses a 24 V DC motor that is built into one of the beams.

This guarantees that it will not be damaged by any adverse weather conditions. All the cabling is hidden within the profiles, ensuring perfect functioning of the product.

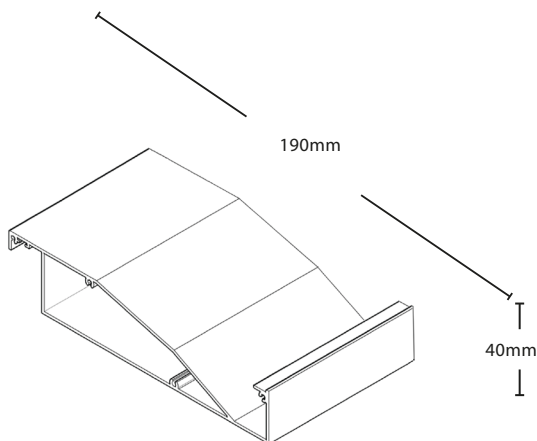


Detalle

SLATS

The Moraira pergola slats have been especially designed to evacuate rainwater towards the perimeter beams, that then channel the water towards a drainage point.

The lower parts of the slats are totally flat, so when they are closed they provide a smooth surface akin to the rest of the pergola.



Section

TYPES

Independent pergola



Maximum measurements
6000 x 4000 mm

Wall-anchored pergola

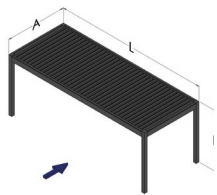


Maximum measurements
6000 x 4000 mm

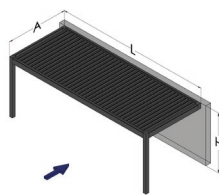
Wall-anchored pergola (corner)



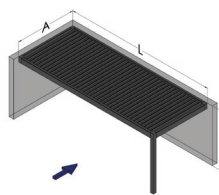
Maximum measurements
6000 x 4000 mm



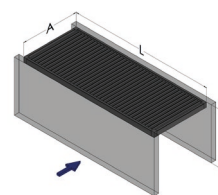
Type A



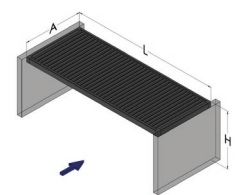
Type B



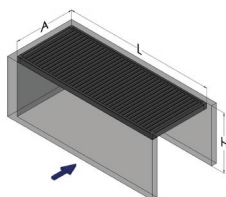
Type C



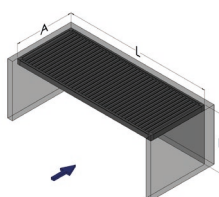
Type D



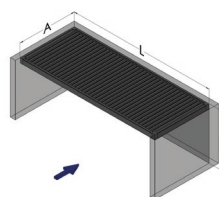
Type E



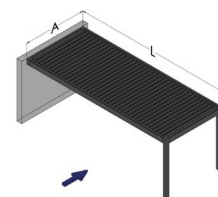
Type F



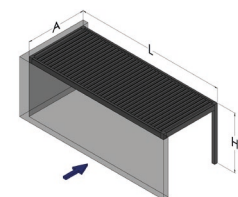
Type G



Type H



Type I



Type J

A=Width, L=Lenght, H=Height



REGULATIONS

Rain:

Codeval Aluminium certifies that the Moraira model pergola complies with standard UNE-EN 12056-3.

Wind load:

Codeval Aluminium certifies that the Moraira model pergola complies with standard CLASS 6 UNE EN 13659:2004 + A1:2009.

Snow load:

Codeval Aluminium certifies that the Moraira model pergola complies with the requirements laid down by CTE (100 Kg/m²).

GUARANTEES

Codeval Aluminium, S.L. provides guarantee according to regulations QUALICOAT for deformation and discolouration of the aluminium.

3 years guarantee on electronics and motors.

2 years guarantee on lighting.

QUALITY



In the surface finishes of the product we are authorized to use the Qualicoat and Qualicoat Seaside seal, with which we guarantee it's quality.



Bureau Veritas certifies that Codeval Aluminium holds the ISO 9001 standard for product management.

OPTIONS

The Moraira model pergola has a wide range of accessories to make its use more enjoyable, for example:



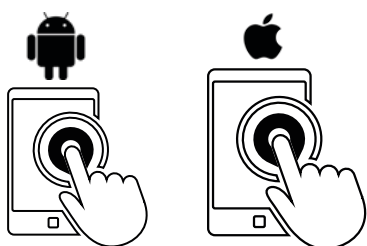
LED LIGHTING

The lights are available in two types.

1. LED strips (RGB), aimed at creating the ambiance that best suits your lifestyle. They allow you to create your favourite colour.



2. Fitted spotlights, allowing you to obtain the lighting needed for night-time meetings with family and friends.



SMARTPHONE CONTROL

Total control over all the mechanisms of the pergola from your mobile through the WIFI connection. You can operate the engine, turn on the lights or activate the heating whether you are at home or not. You will also have the possibility to create scenarios and even configure them for activation at predetermined times.

HEATING



The innovative infra-red heating panel technology gives off a very comfortable heat. These radiators are ideal for places where permanent heating is not necessary, for example, in winter gardens or pergolas and terraces for restaurants and bars.

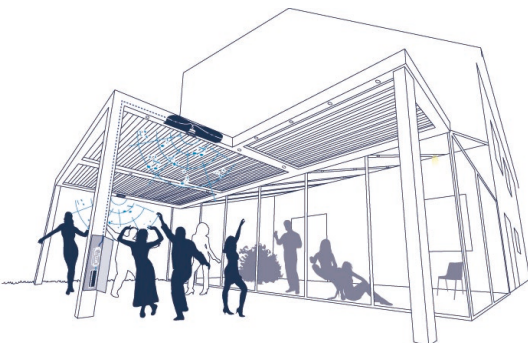
The radiators have a 2-year warranty, with no need for maintenance. By incorporating high quality and avant-garde elements, they are designed and manufactured to last for many years.

PORTABLE TRANSMITTER



Using the Codeval remote control you will be able to interact with all the elements that the pergola offers: slats, fitted lighting, LED strips, heating, music and blinds.

SOUND SYSTEM



Listening to music in outdoor spaces is really very simple. You will play your music from the phone. The control of the audio reproduction is done from the app, with a single touch it is possible to select the audio source or your favorite radio station.

CODEVAL
ALUMINIUM
www.codeval.es

Codeval Aluminum is not responsible for possible misprints in the edition and printing of this catalogue.

CODEVAL
ALUMINIUM

w w w . c o d e v a l . e s

Valencia
Pol. Ind. Pla dels Olivars
Avda. Alginet - C/Benicadell
46460 Silla (Valencia, España)
+34 961 218 910
info@codeval.es

Alicante
Pol. Ind. Riodel
C/ Molí de Gosálvez, Parc E8-4
03110 Mutxamel (Alicante, España)
+34 965 108 080
codeval1@codeval.es